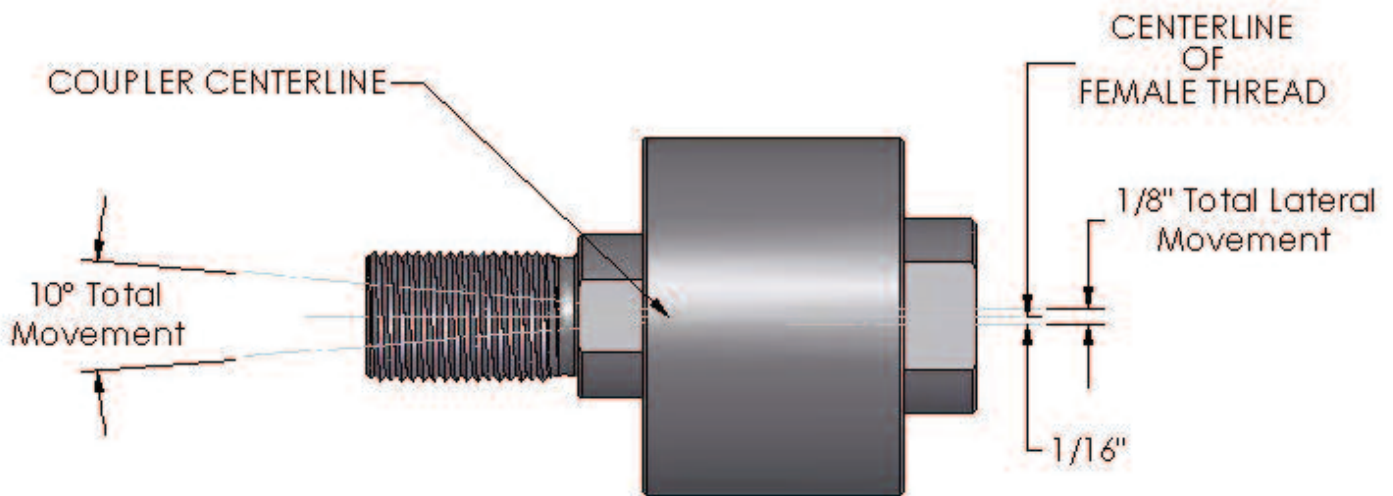




Time and Money Saving Features...

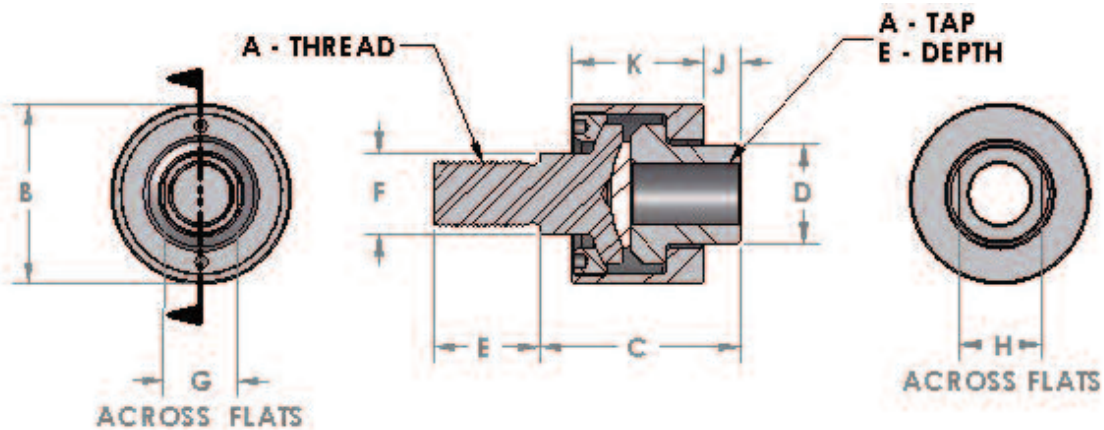
- Eliminates need for custom designing.
 - Simplifies cylinder installation.
 - Increases design tolerances.
 - Cuts cylinder repairs.
 - Increases cylinder life - easier on seals, wiper, bearing surfaces and cushion parts.
 - Compensates for machinery deflection and cuts bearing wear from side loads and binding.
 - Allows equally effective angular or lateral displacement in either direction, push or pull.
 - Immediate delivery from stock on thread sizes thru 1 1/2".
- Total of 10° Spherical Movement in push or pull.
 - Total of 1/8" Lateral Movement.
 - Manufactured from high tensile and hardened materials.
 - Lubricated at factory.
- Adjusted at factory, no clearance of end play.
 - Same load rating push or pull.
 - Internal thread mates with standard style No. 2 cylinder piston rods; external with style No. 3.



M - Series

PART NO.	A THREAD SIZE	B	C*	D	E	F	G	H	J*	K	MAX. RATED LOAD	PULL AT YEILD	APROX. WEIGHT (LBS.)
M010-01024 M010-01224	5/16-24 3/8-24	1.562	1.750	0.750	0.500	0.625	0.500	0.625	0.375	1.031	1,450 2,425	8,800 9,700	0.5
M015-01420 M015-01620	7/16-20 1/2-20	1.562	2.000	0.750	0.750	0.625	0.500	0.625	0.500	1.031	3,250 4,450	13,000 17,800	0.6
M020-02018 M020-02416 M020-02814	5/8-18 3/4-16 7/8-14	2.125	2.312	1.250	1.125	1.000	0.875	1.125	0.531	1.312	7,150 9,050 14,450	28,600 36,200 57,800	1.4
M030-10014	1-14	2.750	3.062	1.500	1.625	1.250	1.125	1.250	0.562	2.000	19,425	77,700	3.3
M040-10812	1-1/4-12	3.500	4.000	2.000	2.000	1.500	1.250	1.687	0.750	2.500	30,825	123,300	6.9
M050-11612 M050-12412	1-1/2-12 1-3/4-12	4.000	4.375	2.250	2.250	1.750	1.500	1.937	0.875	2.750	45,750 58,350	183,000 233,400	9.8
M060-12812 M060-20012	1-7/8-12 2-12	5.000	5.625	3.000	3.000	2.250	1.937	2.625	1.375	3.375	67,550 77,450	270,200 309,800	19.8
M070-20812	2-1/4-12	6.750	6.375	3.250	3.500	2.750	2.375	2.875	1.625	3.750	99,250	397,000	35.3
M080-21612 M080-22412 M080-30012	2-1/2-12 2-3/4-12 3-12	7.000	6.500	4.000	3.500	3.250	2.875	3.375 3.375 3.500	1.625	3.875	123,750 150,950 180,850	495,000 603,800 723,400	45.3
M100-30812	3-1/4-12	9.250	8.500	5.250	4.500	4.000	3.375	4.500	2.000	5.500	213,450	853,800	---
M140-40812	4 1/4-12	12.875	11.250	7.750	4.500	5.500	4.875	7.000	1.500	8.750	370,850	1,483,400	---

* Tolerance +/- .030 inch, all other dimensions +/- .015 inch



M - Series