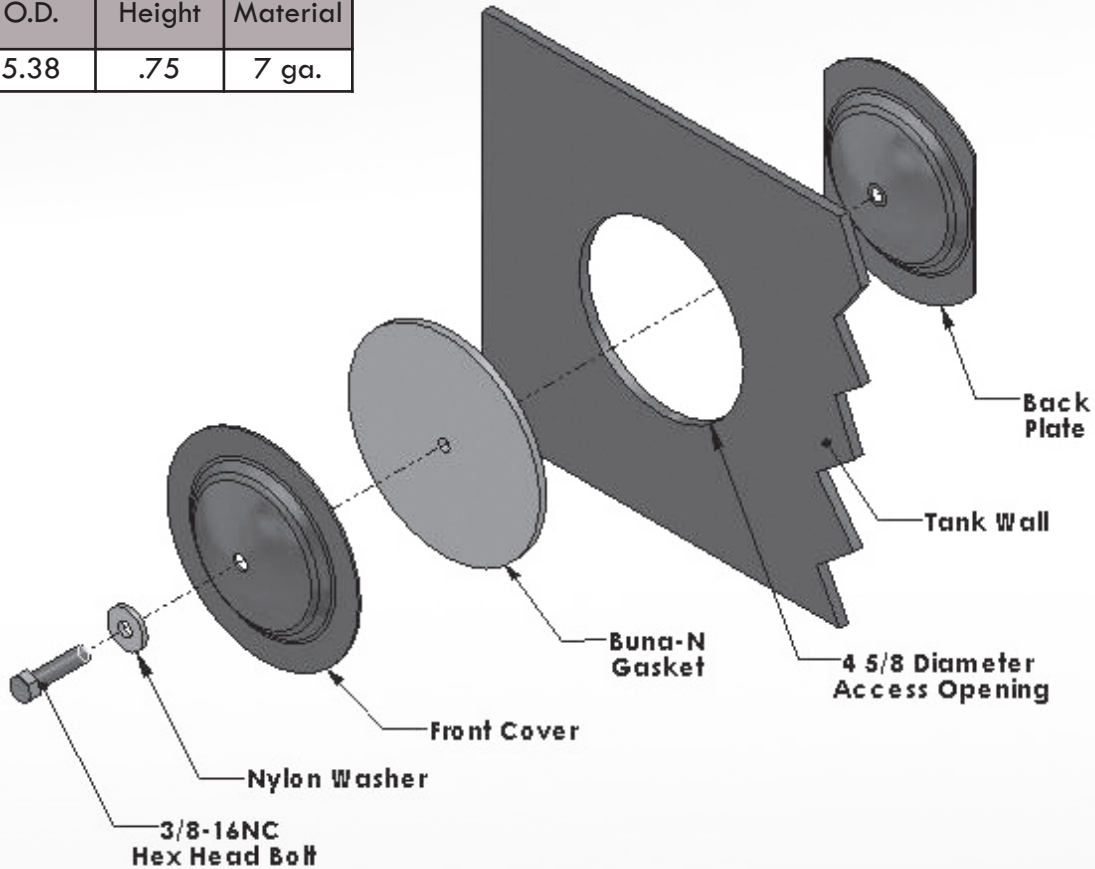


6 Inch Steel End Cover:

| End Cover Size | O.D. | Height | Material |
|----------------|------|--------|----------|
| REC06          | 5.38 | .75    | 7 ga.    |



4

End Cover Assembly and Component Part Numbers:

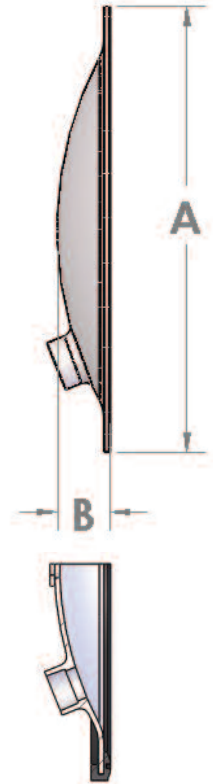
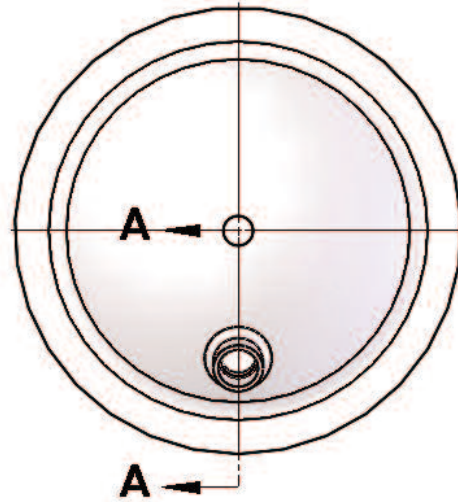
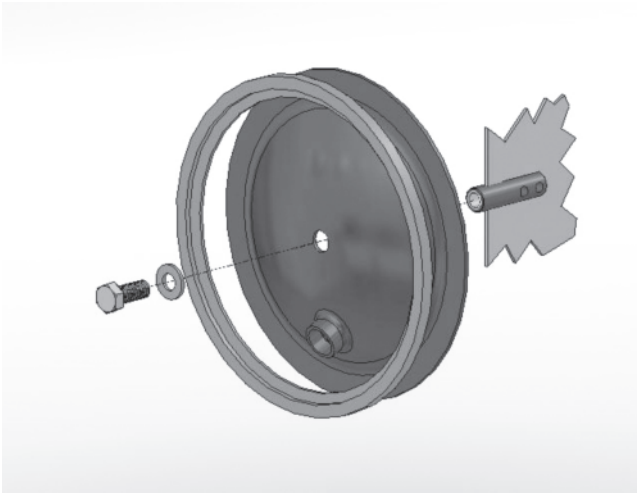
| End Cover Size | End Cover Assembly | End Cover Front Cover | End Cover Back Plate | End Cover Gasket | End Cover Nylon Washer | End Cover Bolt |
|----------------|--------------------|-----------------------|----------------------|------------------|------------------------|----------------|
| 6"             | REC06K             | REC06C                | REC06B               | REC06G           | REC06W                 | REC06F         |

**NOTE:** End Cover Assembly Includes - (1) Front Plate, (1) Back Plate, (1) 3/8-16 x 1.25" Bolt, (1) Nylon Crush Washer, (1) Buna-N Cover Gasket.

**NOTE:** 4.625" Diameter Hole in the Reservoir is required for installation.

# End Covers

## 12, 16, & 18 Inch Steel End Covers:



SECTION A-A  
(with Gasket Installed)

| End Cover Size | A     | B    | Material |
|----------------|-------|------|----------|
| 12"            | 11.75 | 1.38 | 7 ga     |
| 14"            | 13.75 | 1.50 | 7 ga     |
| 16"            | 15.88 | 1.88 | 7 ga     |
| 18"            | 17.34 | 2.25 | 7 ga     |

## Steel End Cover Kit and Component Part Numbers:

| End Cover Size | End Cover Kit w/out Drain | End Cover Kit with 3/4" NPT Drain | End Cover Only w/out Drain | End Cover Only with 3/4" NPT Drain | End Cover Kit with #12 SAE Drain | End Cover Only with #12 SAE Drain |
|----------------|---------------------------|-----------------------------------|----------------------------|------------------------------------|----------------------------------|-----------------------------------|
| 12"            | REC12KX                   | REC12KN                           | REC12CX                    | REC12CN                            | REC12KS                          | REC12CS                           |
| 14"            | REC14KX                   | REC14KN                           | REC14CX                    | REC14CN                            | REC14KS                          | REC14CS                           |
| 16"            | REC16KX                   | REC16KN                           | REC16CX                    | REC16CN                            | REC16KS                          | REC16CS                           |
| 18"            | REC18KX                   | REC18KN                           | REC18CX                    | REC18CN                            | REC18KS                          | REC18CS                           |

## Stainless Steel End Cover Kit and Component Part Numbers:

| End Cover Size | End Cover Kit w/out Drain | End Cover Kit with 3/4" NPT Drain | End Cover Only w/out Drain | End Cover Only with 3/4" NPT Drain | End Cover Kit w/#12 SAE Drain | End Cover Only w/#12 SAE Drain |
|----------------|---------------------------|-----------------------------------|----------------------------|------------------------------------|-------------------------------|--------------------------------|
| 12"            | RECS12KX                  | RECS12KN                          | RECS12CX                   | RECS12CN                           | N/A                           | N/A                            |
| 16"            | RECS16KX                  | RECS16KN                          | RECS16CX                   | RECS16CN                           | N/A                           | N/A                            |

**NOTE:** End Cover Kit Includes: (1) End Cover, (1) Buna-N Gasket, (1) 5/8-11 Bolt, (1) Nylon Washer, (1) Baffle Lug. **(For Stainless Kit: Bolt is Stainless, but Baffle lug is not)**

**NOTE:** End Cover Only Includes: (1) End Cover, (1) Buna-N Gasket