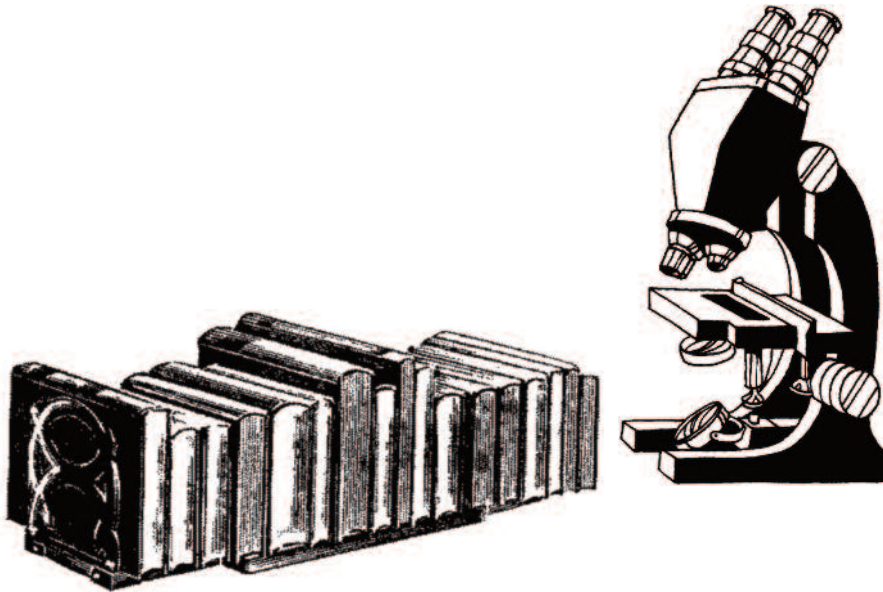


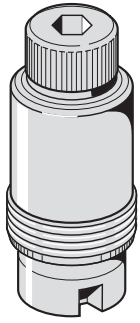
SECTION R

REFERENCE SECTION

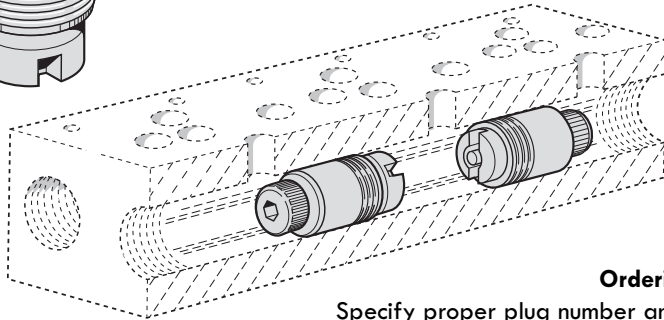


NOTE: Due to Magnaloy's policy of continuous improvement, specifications are subject to change without notice.
Check with the factory or our Web Site at www.magnaloy.com for the latest information.

Magnaloy Bar Manifolds Isolation Plug



NOTE: See Bar Manifolds, pages 37 - 61 for Specific Magnaloy Standard Configurations with Options



Features & Advantages

- * Suitable for mild steel, ductile iron or aluminum manifolds
- * Leak free
- * Blocks pressure from both sides
- * Permanent
- * May be inserted to any depth in blind or thru holes
- * **INSTALLED AT FACTORY BY MAGNALOY** or Field Installation by Customer **

Multiple plugs can be used to isolate pressure line or tank line flows to or from various valve stations.

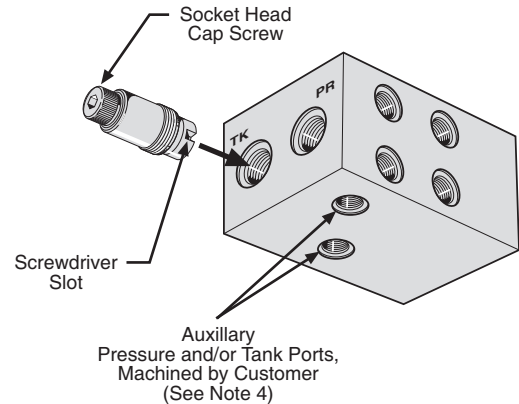
Ordering Data

Specify proper plug number and location(s) required in manifold

Notes:	1 - Isolation Plug Location is specified by using the following codes after the "I" option designation:		Examples: Option Code for Pressure Isolation between stations 3 & 4 = IPC Option Code for Tank Isolation between stations 1 & 2 = ITA Option Code for Pressure Isolation between stations 1 & 2 and Tank Isolation between stations 2 & 3 = IPATB *Location is determined with A & B ports facing forward, valves up and numbering from left to right
	Port P - Pressure Port T - Tank Port	Location* A - Between Stations 1 & 2 B - Between Stations 2 & 3 C - Between Stations 3 & 4 D - Between Stations 4 & 5 (etc.)	

Installation Instructions for Customer Installed Isolation Plugs

1. Make sure the correct plug is being used for the size of manifold and passage.
2. Insert the plug into the pressure or tank passage to proper depth between the valve stations being isolated.
3. Tighten the socket head cap screw to the specified torque setting while holding other end of plug using the screwdriver slot provided.
4. If more than one plug is being installed in a given passage, insert a screwdriver through a customer machined auxillary port or a pre-existing flow passage to secure the slotted end of the plug while tightening.



CAUTION: Be sure the isolation plugs do not block the inlet or outlet port of the valve stations.

** Isolation Plugs for Customer Installation

Aluminum Manifolds:

Customer must supply Magnaloy with I.D. dimension of passage to be isolated if ordering for previously supplied manifold.

Customer assumes all responsibility and liability resulting from isolation Plug installation.

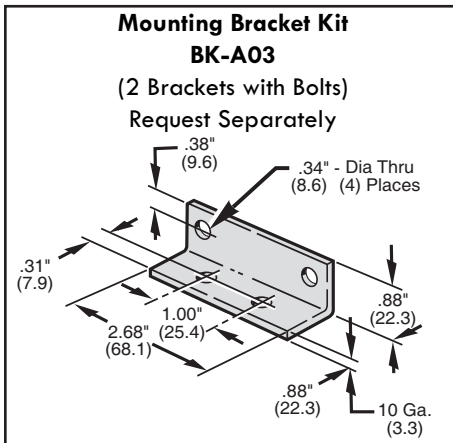
Ductile/Steel Manifolds:

Recommend installation by Magnaloy.

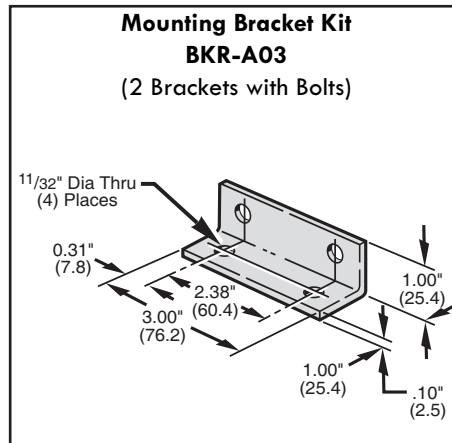
NFA MANIFOLD SIZE	SYSTEM PASSAGE	PLUG PART NUMBER FOR ALUMINUM MANIFOLDS		PLUG PART NUMBER FOR DUCTILE/STEEL MANIFOLDS
		MAGNALOY PART NO.	TORQUE SETTING*	MAGNALOY PART NO.
D03 SBM- _SP03	Pressure & Tank	IP-AP03-0	480 in lbs.	IP-SP03-0
D03 BM- _HP03	Pressure & Tank	IP-AP03-1	480 in lbs.	IP-SP03-1
D03 BMR- _SP03	Pressure & Tank	--	480 in lbs.	IP-SP03-1
D03 BMR- _H03	Pressure	--	960 in lbs.	IP-SP05-0
	Tank	--	1680 in lbs.	IP-SP08-0
D05 BM- _SP05	Pressure	IP-AT05-0	960 in lbs.	IP-SP05-0
	Tank	IP-AT05-1	1,200 in lbs.	IP-ST05-0
D05 BM- _HP05	Pressure	IP-AP08-0	1,680 in lbs.	IP-SP08-0
	Tank	IP-AT08-0	1,680 in lbs.	IP-ST08-0
D08 BM- _SP08	Pressure	IP-AP08-0	1,680 in lbs.	IP-SP08-0
	Tank	IP-AT08-0	1,680 in lbs.	IP-ST08-0
D08 BMR- _HP08	Pressure	--	1,680 in lbs.	IP-SP08-0
	Tank	--	--	--



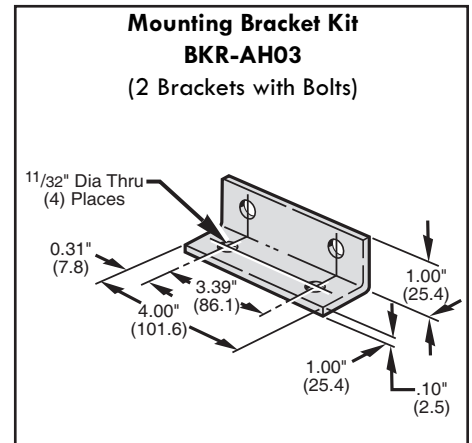
D03 Bar Manifold Parallel & Series



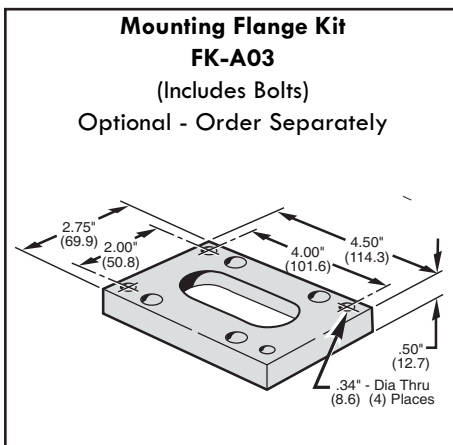
D03 Standard Flow Retro Design Manifold



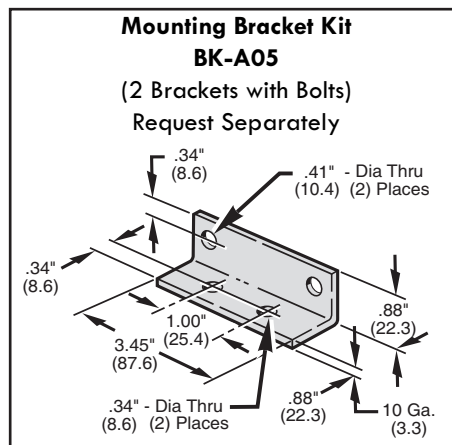
D03 High Flow Retro Design Manifold



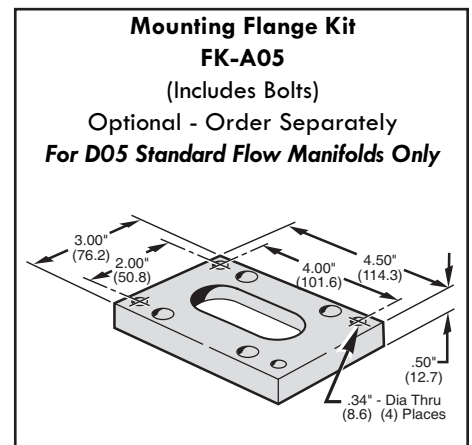
D03 Bar Manifold Parallel & Series



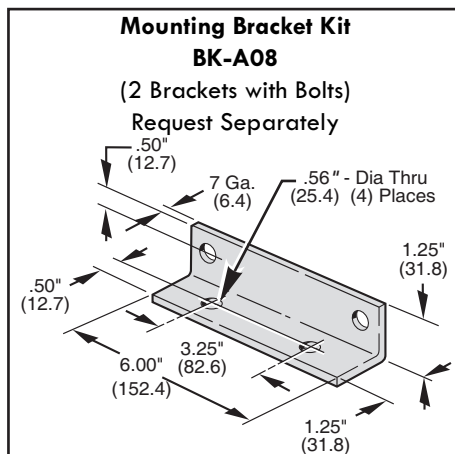
D05 Bar Manifold Parallel & Series



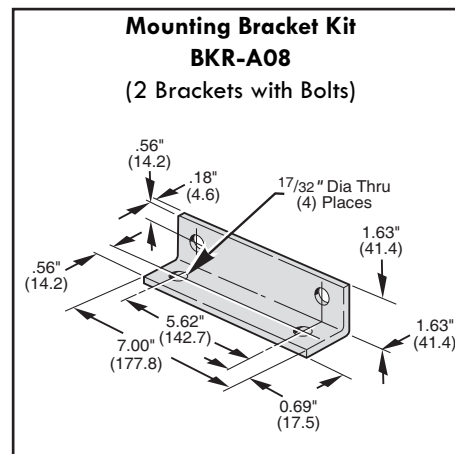
D05 Bar Manifold Parallel & Series



D08 Bar Manifold Parallel & Series



D08 High Flow Retro Design Manifold



Manufacturer's Cross Reference
For Stocked Relief Valve Cartridges



Usage: All Current Bar Manifolds (Except D03 "SBM" and D03 Series)
& Subplates w/C-10-2 Cavity (Pressure at Nose)

Magnaloy Part Number	Mantech Part Number	Delta Power Part Number	Pressure Rating
RV-C10-2-02	S-10-1-2	DE-RVA-00-0200	50-200 PSI
RV-C10-2-15	S-10-1-15	DE-RVA-00-1500	50-1500 PSI
RV-C10-2-30	S-10-1-30	DE-RVA-00-3000	1500-3000 PSI

Usage: Current D03 Series and D03 Original Design ("SBM") Bar Manifolds)
(Reverse Flow Cartridge) C-10-2R Cavity (Pressure at Side)

Magnaloy Part Number	Mantech Part Number	Delta Power Part Number	Pressure Rating
RV-C10-2R-02	S-10-2-2	8500-2124	50-200 PSI
RV-C10-2R-15	S-10-2-15	8500-2125	50-1500 PSI
RV-C10-2R-30	S-10-2-30	8500-2126	1500-3000 PSI

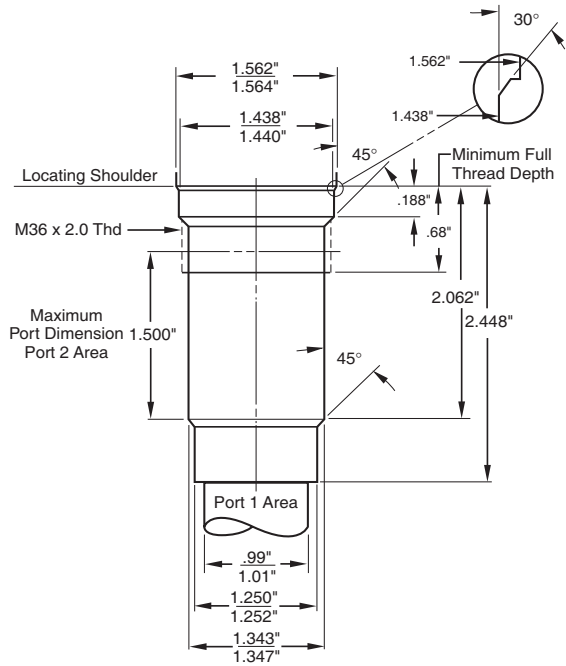
Usage: D05 Original Design Bar Manifolds and All Current
w/Sun T-3A Cavity (Pressure at Nose)

Magnaloy Part Number	Mantech Part Number	Delta Power Part Number	Pressure Rating
RV-T3A-08	S-10-3-8	RPGCJDV	25-800 PSI
RV-T3A-15	S-10-3-15	RPGCJBV	50-1500 PSI
RV-T3A-30	S-10-3-30	RPGCJAV	100-3000 PSI

Usage: All Current w/Sun T-10A Cavity (Pressure at Nose)

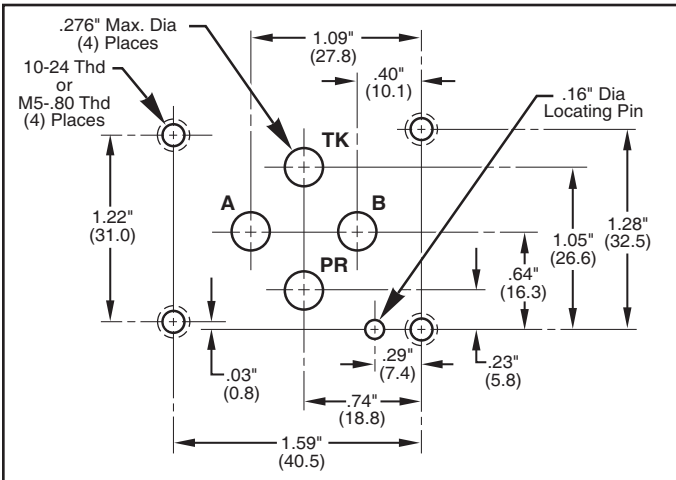
Magnaloy Part Number	Mantech Part Number	Delta Power Part Number	Pressure Rating
RV-T10A-15	S-10-10-15	RPECJBV	50-1500 PSI
RV-T10A-30	S-10-10-30	RPECJAV	100-3000 PSI

Sun T-16A

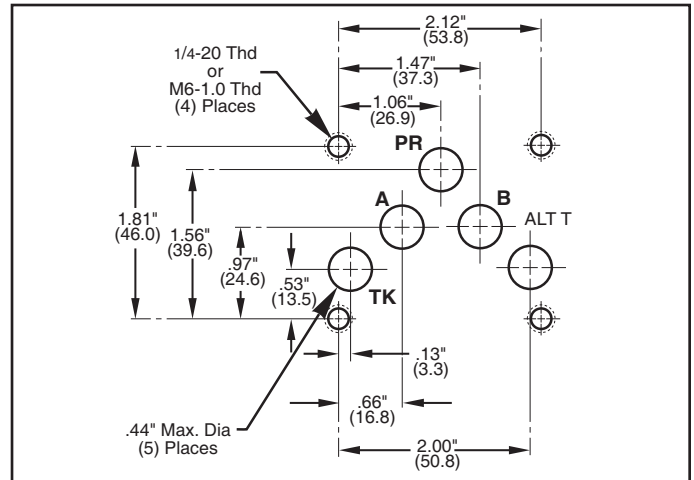


Valve Manufacturer	Directional Valve			Pressure Control & Pressures Reducing Valves		Flow Control Valves	
	NFPA DO3	NFPA DO5	NFPA DO8	NFPA P06	NFPA P10	NFPA F02	NFPA F03
Continental	V* 3M V* 5M	V* 12M	V* 35M			F12M	F30M
Double A	005	02	06	BPQ-06 WQP-06	QSA-185	QXA-02	QXA-03
Hartman	00	1/8"	3/4"	3/4"	1 1/2"		
Parker	2M	3/8"	3/4"	16	20	60	80
Racine		1/4"	3/4"	3/4"	1 1/4"	1/4"	3/8"
Rexroth	6	8 & 10	20 & 22	DZ-20 DR-20	DZ-30 DR-30	2FRMM10-1	2FRMM15-1
Rivett	01-61	02-41	68** 3/8-1			P-8622-02-41	
Vickers	DG4V	DG45401	DG55406	RCG-06 XG-06	RG-10	FG-02-1500	FG-03-1500

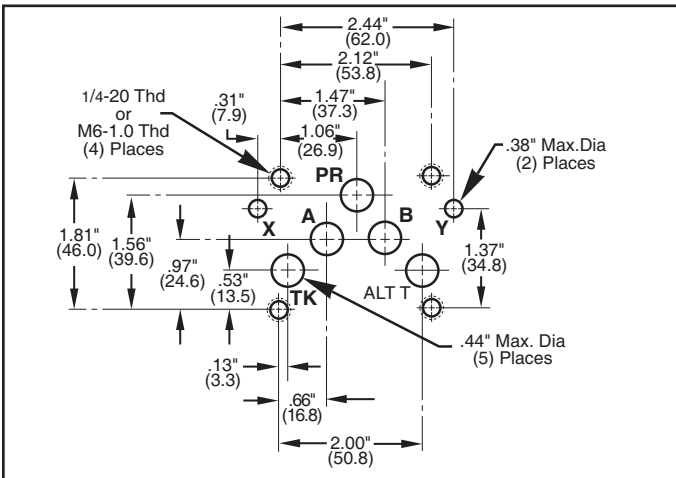
D03 Directional Valve Interface



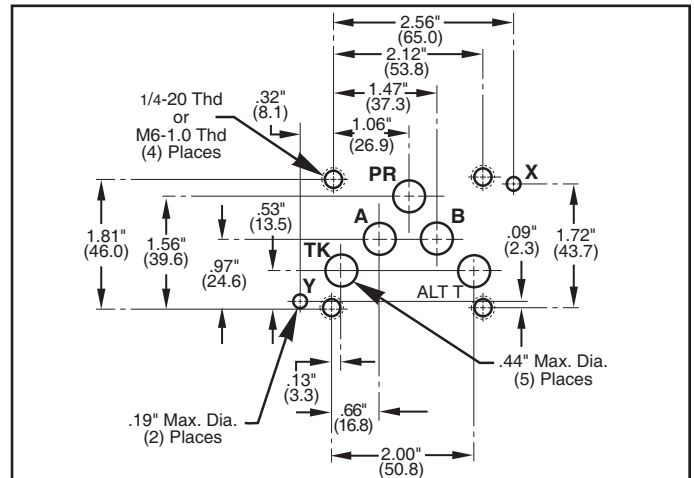
D05 Directional Valve Interface



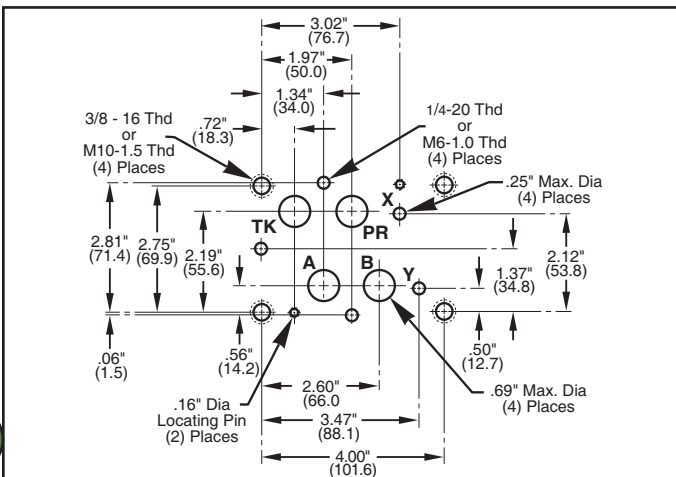
D05E Directional Valve Interface



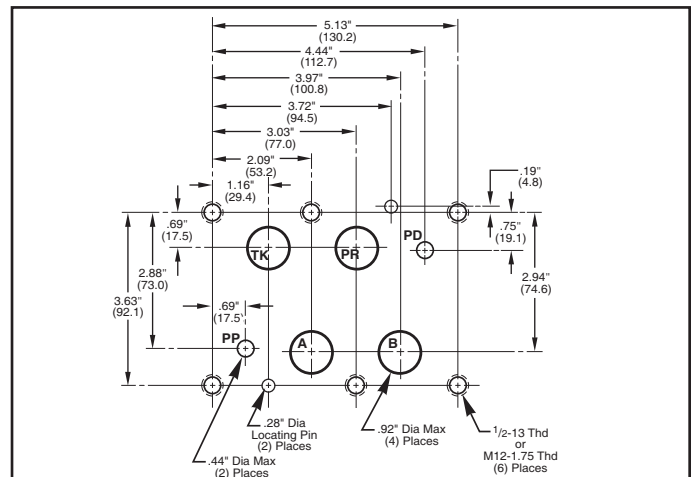
D05H Directional Valve Interface



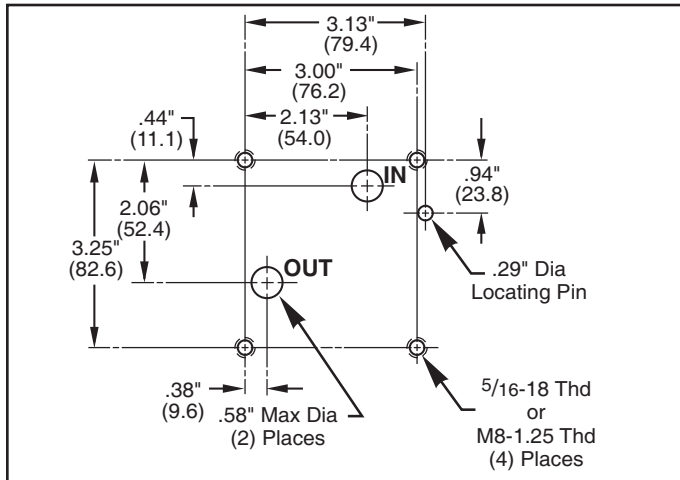
D07 Directional Valve Interface



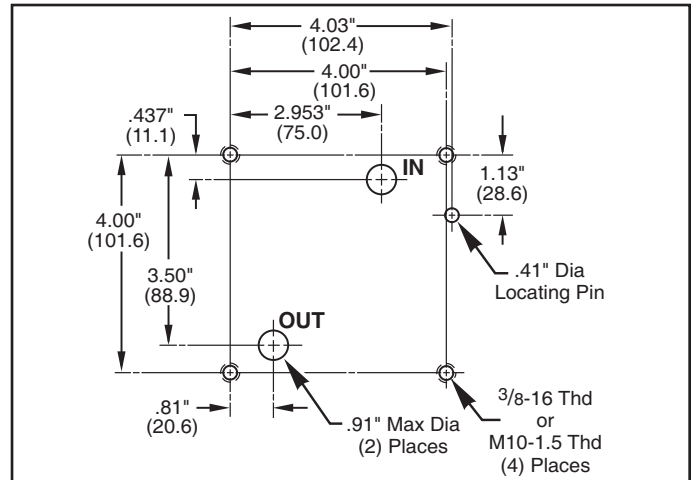
D08 Directional Valve Interface



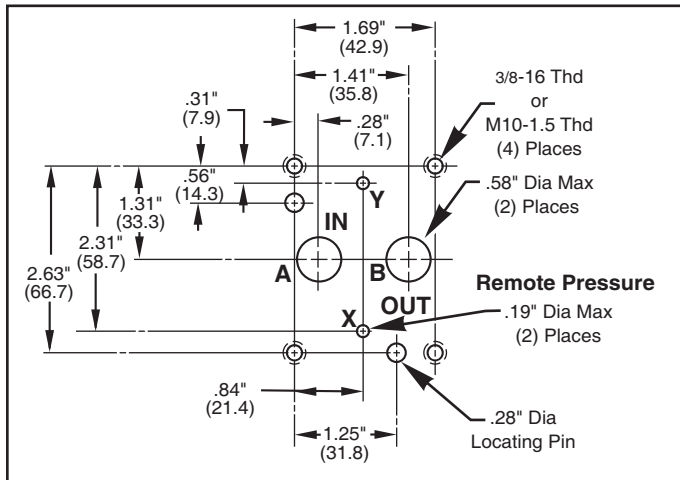
2F06 Flow Control Valve Interface



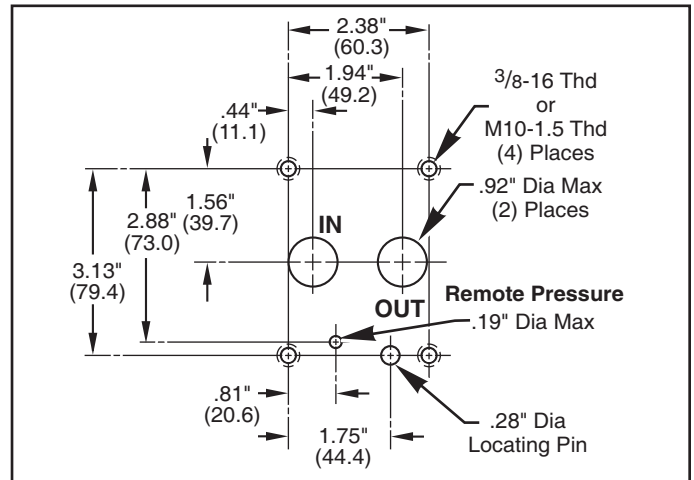
2F06 Flow Control Valve Interface



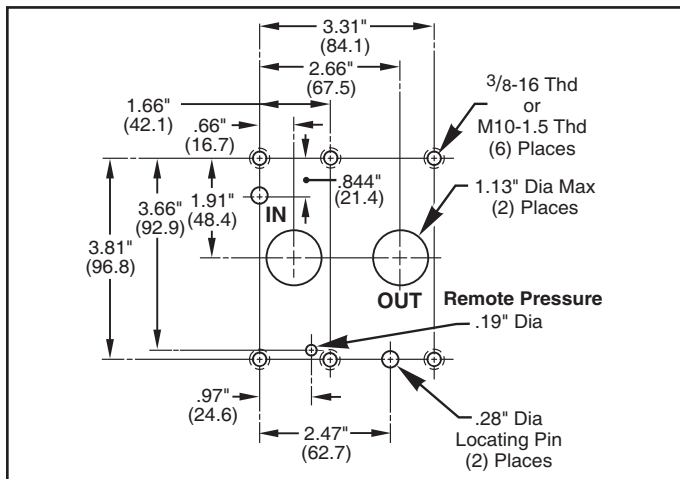
P06 Pressure Control Valve Interface



P08 Pressure Control Valve Interface



P10 Pressure Control Valve Interface



R08 Pilot Oper. Pres. Relief Valve Interface

