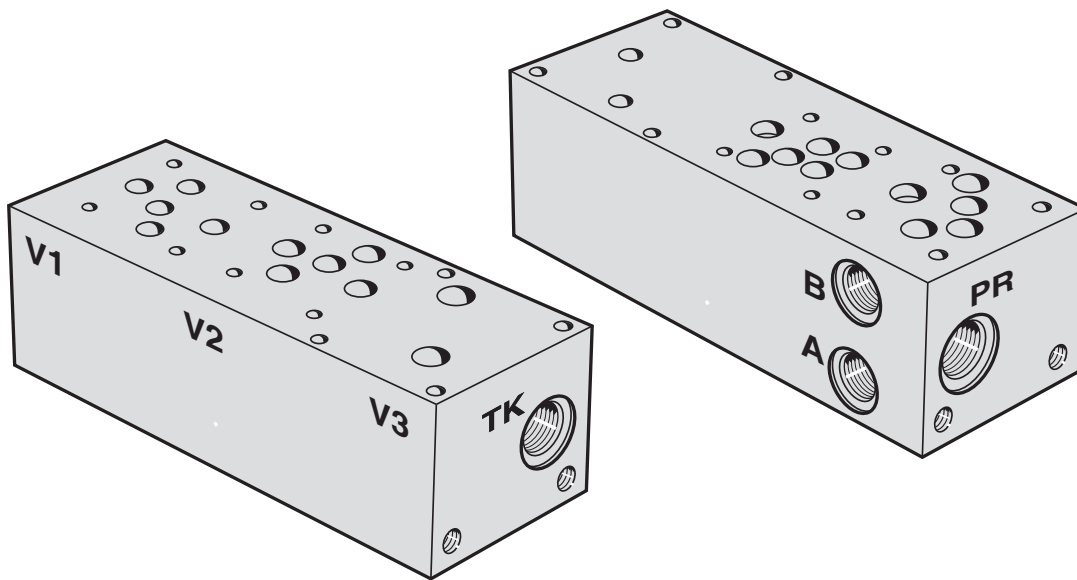


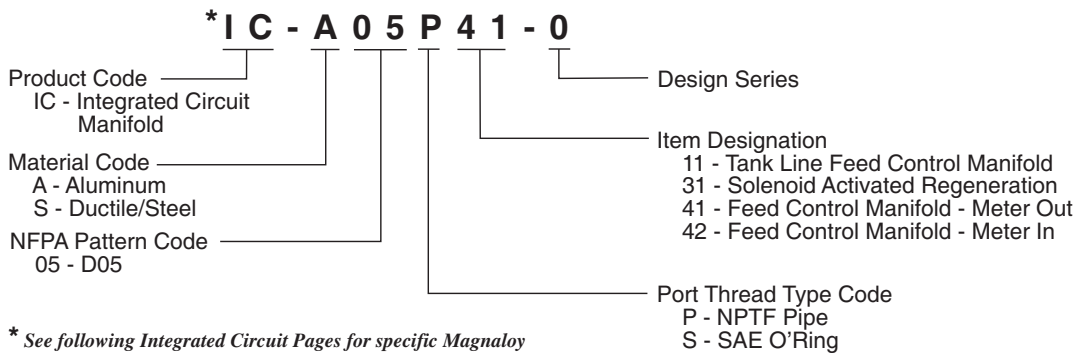
**INDEX:**

- 63 D05 Tank Line Feed Control Manifold**
- 64 D05 Feed Control Manifold - Cylinder Port Meter Out and Meter In**
- 65 D05 Solenoid Activated Regeneration Module**

3



## MAGNALOY IC MANIFOLD PART NUMBER BREAKDOWN

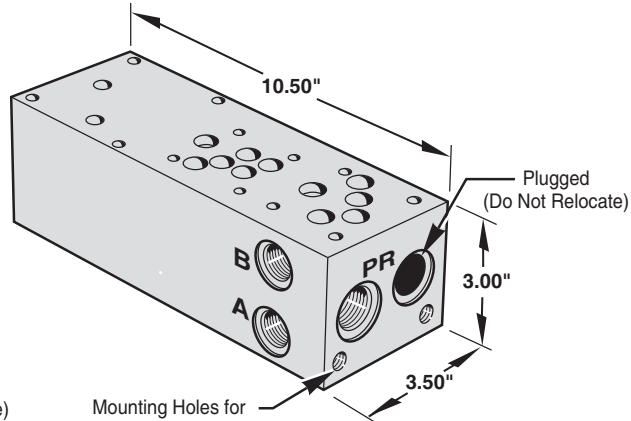
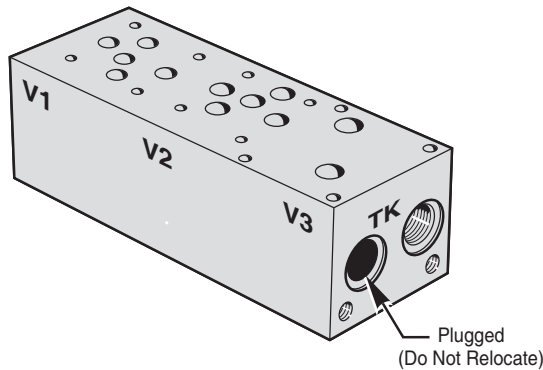
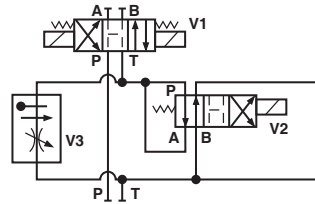


# Integrated Circuit Manifold D05 Tank Line Feed Control Manifold

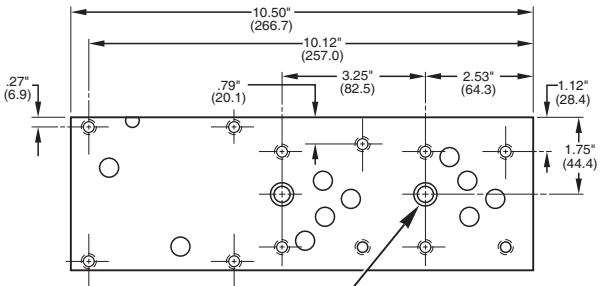
The integrated circuit manifold, Number IC-A05x11-0 and IC-S05x11-0, provides a "Meter Out" pressure compensated flow control circuit. The flow control is placed in the tank line to allow control in either/both direction(s) of travel. Selector valve (V2) allows electrical switching from rapid travel (nominal flow of 10 GPM) to feed (from fractional to 6.5 GPM). Note: Single rod end cylinders will not have the same speed in both directions.

### Valves Required

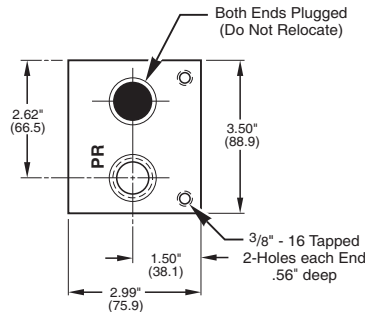
- V1 — Directional Control Valve (NFPA D05)
- V2 — Directional Control Valve, Spring Off-Set (NFPA D05)
- V3 — Pressure Compensated Flow Control (NFPA 2F02)



Mounting Holes for Bracket Mounting Kit (BK-A05) Request Separately

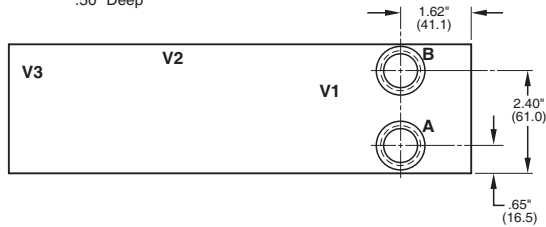


Two Counterbored Mounting Holes for 5/16" Socket Head Cap Screws .50" Deep



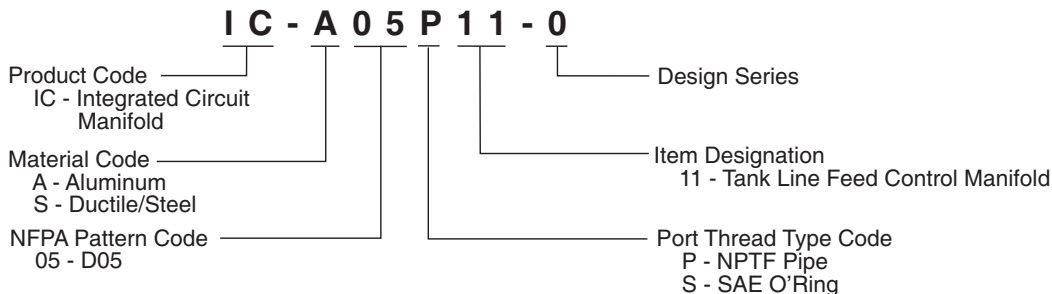
Port Designation	IC_05P11-0	IC_05S11-0
A & B	1/2" NPTF	#8 SAE
PR	3/4" NPTF	#12 SAE
TK	3/4" NPTF	#12 SAE

Part Number	
SAE	IC-A05S11-0 Aluminum IC-S05S11-0 Ductile/Steel
NPT	IC-A05P11-0 Aluminum IC-S05P11-0 Ductile/Steel

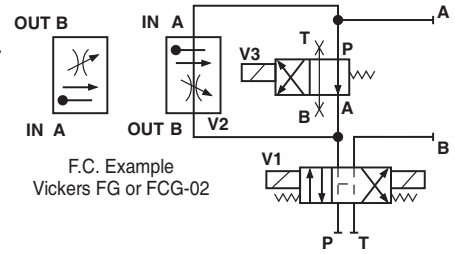


**NOTE:** For Mounting Bracket Kit (BK-A05) dimensions, see Reference Section, page 174.

## MAGNALOY IC MANIFOLD PART NUMBER BREAKDOWN

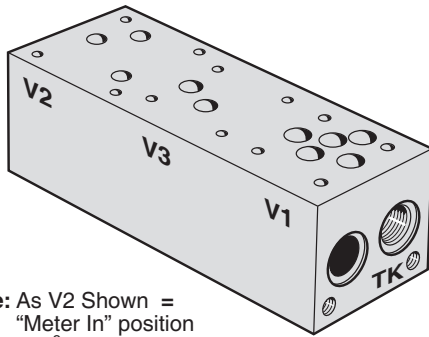


The integrated circuit manifold, Number IC-\_05x41-0, provides a "Meter Out" and IC-\_05x42 provides a "Meter In" pressure compensated flow control circuit. The flow control is placed in the port line in parallel with a selector valve which allows electrical switching to rapid transverse (nominal flow of 10 GPM) or controlled speed (from fractional to 6.5 GPM).

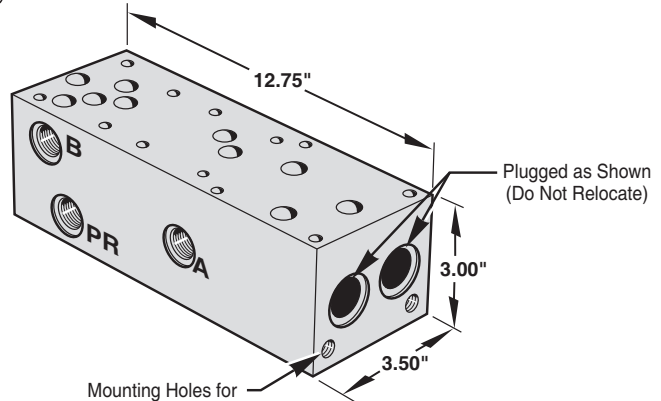


### Valves Required

- V1 — Directional Control Valve (NFPA D05)
- V2 — Pressure Compensated Flow Control Valve (NFPA 2F02)
- V3 — Directional Control Valve, Spring Offset, Open Center Spool Recommended (NFPA D05)

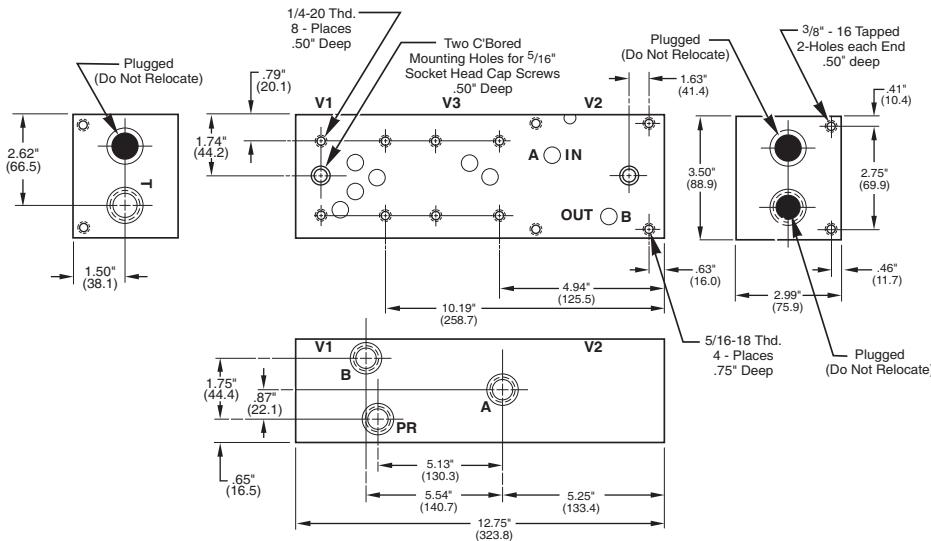


**Note:** As V2 Shown = "Meter In" position  
180° Rotation = "Meter Out" position



Mounting Holes for Bracket Mounting Kit (BK-A05)  
Request Separately

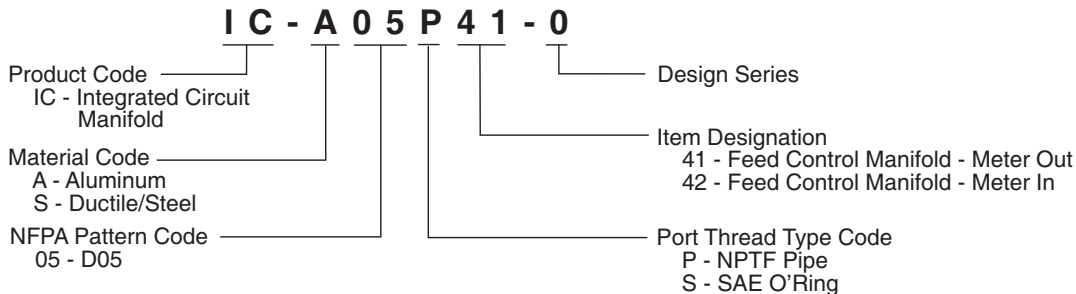
**NOTE:** For Mounting Bracket Kit (BK-A05) dimensions, see Reference Section, page 174



Port Designation	IC-_05P4_-0	IC-_05S4_-0
A, B & P	1/2" NPT	#8 SAE
TK	3/4" NPT	#12 SAE

Part Number	
SAE	IC-A05S4_-0 Aluminum
	IC-S05S4_-0 Ductile/Steel
NPT	IC-A05P4_-0 Aluminum
	IC-S05P4_-0 Ductile/Steel

## MAGNALOY IC MANIFOLD PART NUMBER BREAKDOWN



# Integrated Circuit Manifold D05 Solenoid Activated Regeneration Module

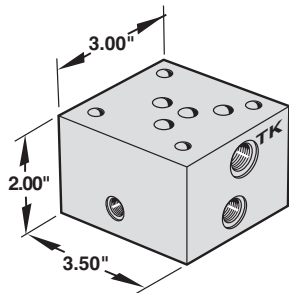


The integrated circuit modules, Number IC-A05x31-0 and IC-S05x31-0, provide a regeneration circuit where the oil is discharged from the rod end of a differential area, (2:1) cylinder is combined with the pump flow for rapid, regenerative, forward travel. The module must be mounted on a 2 station, DO5, parallel bar manifold (see page 41) to complete the circuit assembly.

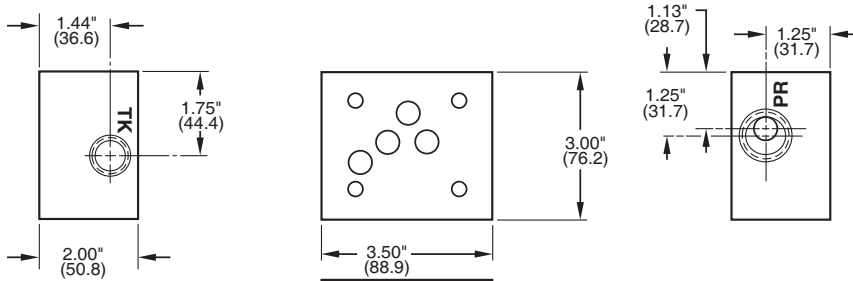
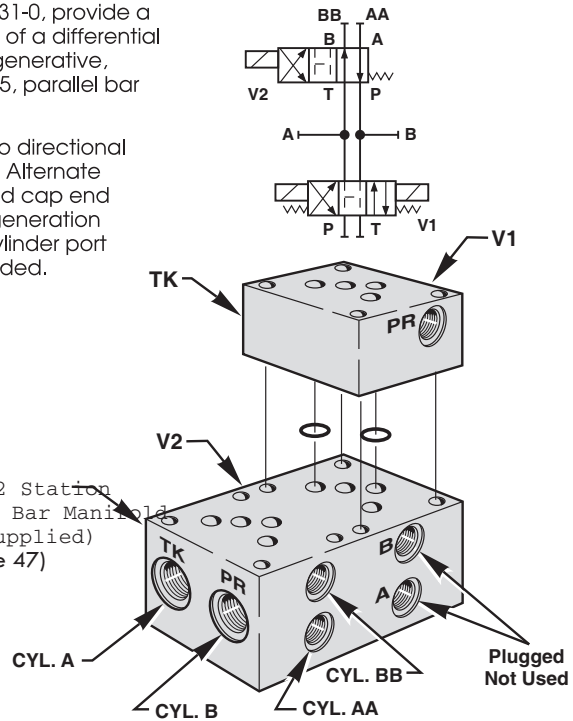
When the machine cycle requires full force, an electrical signal to directional control valve V2 redirects rod end flow to tank through valve V1. Alternate ports are provided for both the rod end connection (AA) (BB) and cap end connection (A) (B). This allows the designer to select whether regeneration occurs when V2 is energized or de-energized and a choice of cylinder port combinations. Ports not used should be plugged with plugs provided.

### Valves Required

- V1 — Directional Control Valve (NFPA D05)
- V2 — Directional Control Valve, Spring Offset, Open Center Spoon Recommended (NFPA D05)



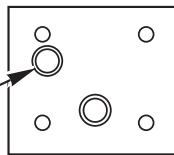
D05 - 2 Station Parallel Bar Manifold (Not Supplied) (see page 47)



### Supplied Hardware

O-Rings — Viton (2) 5/8" OD x 1/2" ID x 1/16" CS

O'Ring Pocket for 5/8" O.D. O'Ring 2 - Places



Port Designation	IC-05P31-0	IC-05S31-0
Pressure Conn	1/2" NPTF	#8 SAE
Tank Conn	1/2" NPTF	#8 SAE
Cyl AA & BB	1/2" NPTF	#8 SAE
Cyl A & B	3/4" NPTF	#12 SAE

Part Number	
SAE	IC-A05S31-0 Aluminum IC-S05S31-0 Ductile/Steel
NPT	IC-A05P31-0 Aluminum IC-S05P31-0 Ductile/Steel

## MAGNALOY IC MANIFOLD PART NUMBER BREAKDOWN

