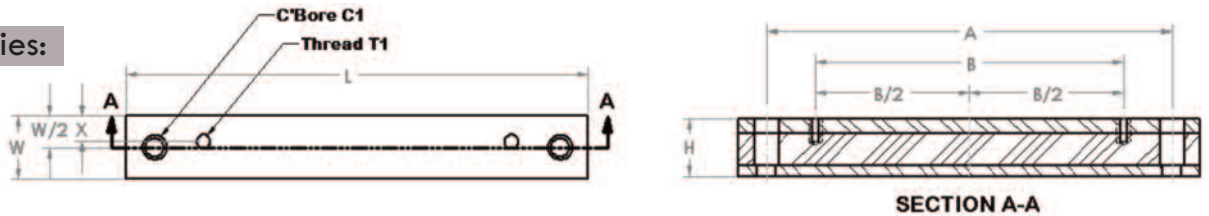


### Features:

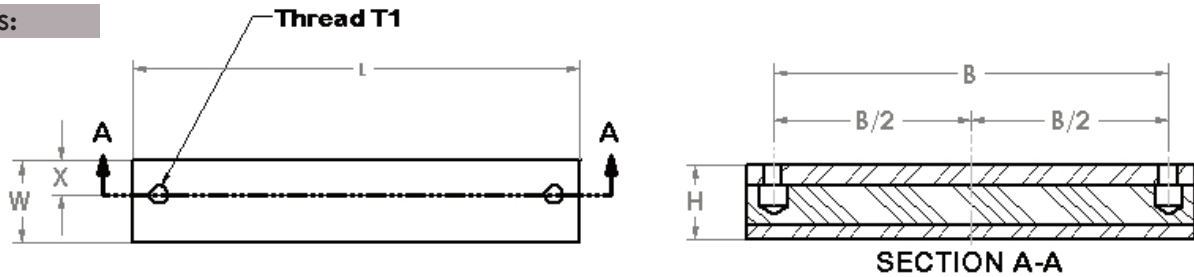
- Reduces noise and vibrations
- Available to accommodate NEMA frame sizes 056C thru 405TC (Metric sizes available - consult factory)
- Strong vulcanized rubber-to-metal bond results in no metal-to-metal contact
- Bolt down or weld in place for easy installation directly to tank top
- Weld pads are available for simple safe mounting option
- Supplied in sets of two (2) bars for each motor

### Bolt Down Series:



| Part Number | Motor Frame | Dampening Bar Dimensions (inches) |      |      |       |       |       |        |         |
|-------------|-------------|-----------------------------------|------|------|-------|-------|-------|--------|---------|
|             |             | L                                 | W    | H    | A     | B     | X     | C1 for | T1      |
| MDB056-B    | 056C        | 7.25                              | 1.97 | 1.57 | 5.75  | 3.0   | .875  | 1/2-13 | 5/16-18 |
| MDB143-B    | 143TC       | 7.75                              | 1.97 | 1.57 | 6.25  | 4.0   | .812  | 1/2-13 | 5/16-18 |
| MDB145-B    | 145TC       | 8.75                              | 1.97 | 1.57 | 7.25  | 5.0   | .812  | 1/2-13 | 5/16-18 |
| MDB182-B    | 182TC       | 8.75                              | 1.97 | 1.57 | 7.25  | 4.5   | .938  | 1/2-13 | 3/8-16  |
| MDB184-B    | 184TC       | 9.75                              | 1.97 | 1.57 | 8.25  | 5.5   | .938  | 1/2-13 | 3/8-16  |
| MDB213-B    | 213TC       | 10.0                              | 1.97 | 1.57 | 8.50  | 5.5   | .938  | 1/2-13 | 3/8-16  |
| MDB215-B    | 215TC       | 11.5                              | 1.97 | 1.57 | 10.0  | 7.0   | .938  | 1/2-13 | 3/8-16  |
| MDB254-B    | 254TC       | 13.0                              | 1.97 | 1.77 | 11.5  | 8.25  | .938  | 1/2-13 | 1/2-13  |
| MDB256-B    | 256TC       | 14.75                             | 1.97 | 1.77 | 13.25 | 10.0  | .938  | 1/2-13 | 1/2-13  |
| MDB284-B    | 284TC/TSC   | 14.5                              | 2.76 | 2.36 | 12.75 | 9.5   | 1.125 | 5/8-11 | 1/2-13  |
| MDB286-B    | 286TC/TSC   | 16.0                              | 2.76 | 2.36 | 14.25 | 11.0  | 1.125 | 5/8-11 | 1/2-13  |
| MDB324-B    | 324TC/TSC   | 16.0                              | 3.15 | 2.36 | 14.0  | 10.5  | 1.562 | 3/4-10 | 5/8-11  |
| MDB326-B    | 326TC/TSC   | 17.5                              | 3.15 | 2.36 | 15.5  | 12.0  | 1.562 | 3/4-10 | 5/8-11  |
| MDB364-B    | 364TC/TSC   | 17.0                              | 3.15 | 2.36 | 15.0  | 11.25 | 1.562 | 3/4-10 | 5/8-11  |
| MDB365-B    | 365TC/TSC   | 18.0                              | 3.15 | 2.36 | 16.0  | 12.25 | 1.562 | 3/4-10 | 5/8-11  |
| MDB404-B    | 404TC/TSC   | 19.5                              | 3.94 | 2.36 | 17.25 | 12.25 | 2.0   | 1-8    | 3/4-10  |
| MDB405-B    | 405TC/TSC   | 21.0                              | 3.94 | 2.36 | 18.75 | 13.75 | 2.0   | 1-8    | 3/4-10  |
| MDB444-B    | 444TC/TSC   | 23.0                              | 4.72 | 2.36 | 20.75 | 14.5  | 2.375 | 1-8    | 3/4-10  |
| MDB445-B    | 445TC/TSC   | 26.0                              | 4.72 | 2.36 | 23.75 | 16.5  | 2.375 | 1-8    | 3/4-10  |

## Weld Series:



| Part Number | Motor Frame | Dampening Bar Dimensions (inches) |      |      |       |       |         |
|-------------|-------------|-----------------------------------|------|------|-------|-------|---------|
|             |             | L                                 | W    | H    | B     | X     | T1      |
| MDB056-W    | 056C        | 4.75                              | 1.97 | 1.57 | 3.0   | .875  | 5/16-18 |
| MDB143-W    | 143TC       | 5.50                              | 1.97 | 1.57 | 4.0   | .812  | 5/16-18 |
| MDB145-W    | 145TC       | 6.50                              | 1.97 | 1.57 | 5.0   | .812  | 5/16-18 |
| MDB182-W    | 182TC       | 6.0                               | 1.97 | 1.57 | 4.5   | .938  | 3/8-16  |
| MDB184-W    | 184TC       | 7.0                               | 1.97 | 1.57 | 5.5   | .938  | 3/8-16  |
| MDB213-W    | 213TC       | 7.75                              | 1.97 | 1.57 | 5.5   | .938  | 3/8-16  |
| MDB215-W    | 215TC       | 9.0                               | 1.97 | 1.57 | 7.0   | .938  | 3/8-16  |
| MDB254-W    | 254TC       | 10.5                              | 1.97 | 1.77 | 8.25  | .938  | 1/2-13  |
| MDB256-W    | 256TC       | 12.25                             | 1.97 | 1.77 | 10.0  | .938  | 1/2-13  |
| MDB284W     | 284TC/TSC   | 12.0                              | 2.76 | 2.36 | 9.5   | 1.125 | 1/2-13  |
| MDB286-W    | 286TC/TSC   | 13.25                             | 2.76 | 2.36 | 11.0  | 1.125 | 1/2-13  |
| MDB324-W    | 324TC/TSC   | 12.5                              | 3.15 | 2.36 | 10.5  | 1.562 | 5/8-11  |
| MDB326-W    | 326TC/TSC   | 14                                | 3.15 | 2.36 | 12.0  | 1.562 | 5/8-11  |
| MDB364-W    | 364TC/TSC   | 13.5                              | 3.15 | 2.36 | 11.25 | 1.562 | 5/8-11  |
| MDB365-W    | 365TC/TSC   | 14.5                              | 3.15 | 2.36 | 12.25 | 1.562 | 5/8-11  |
| MDB404-W    | 404TC/TSC   | 15.5                              | 3.94 | 2.36 | 12.25 | 2.0   | 3/4-10  |
| MDB405-W    | 405TC/TSC   | 17.0                              | 3.94 | 2.36 | 13.75 | 2.0   | 3/4-10  |
| MDB444-W    | 444TC/TSC   | 19.5                              | 4.72 | 2.36 | 14.5  | 2.375 | 3/4-10  |
| MDB445-W    | 445TC/TSC   | 21.0                              | 4.72 | 2.36 | 16.5  | 2.375 | 3/4-10  |

## CAUTION !

Welding Directly to the Magnaloy Motor Dampening Bar can cause damage to the metal-to-rubber bond resulting in premature failure. Welding should be limited to the ends only (across the "W" dimension) to prevent damage to the rubber vulcanization by the heat generated during the welding process. Extreme care should be exercised whenever welding to assemblies containing vulcanized rubber. Bond Separation will occur if the metal/rubber surface interface reaches a temperature above 500 °F.

Magnaloy offers a solution to this situation - the **Magnaloy Weld Pad Kit**.

*See next page for details.*

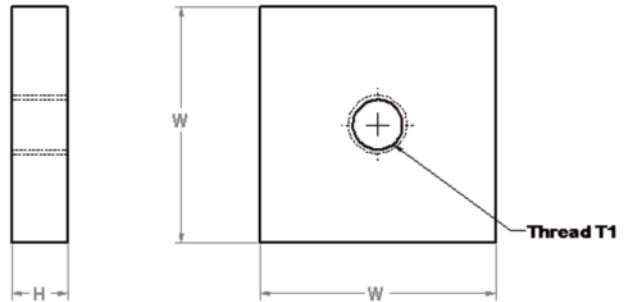
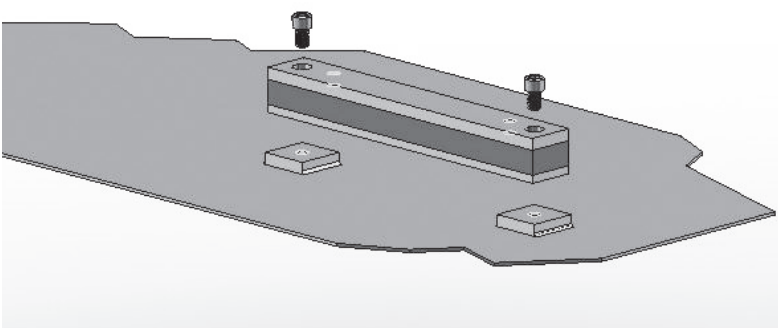
# Motor Dampening Bars



## Weld Pad Kit:

### Features:

- Allows simple bolt down installation and design flexibility with drilling and tapping the reservoir surface.
- Eliminates the possibility of heat damage to rubber vulcanization caused by welding directly on the dampening bar.
- Available in sizes to accommodate all Magnaloy Motor Dampening Bars.
- Provides additional motor height to give added design flexibility and plumbing options.
- Supplied in sets of four (4) pads per kit (one set for each motor).



| Part Number | Fits Motor Frames        | Weld Pad Dimensions (inches) |     |            |
|-------------|--------------------------|------------------------------|-----|------------|
|             |                          | W                            | H   | T1         |
| MWP056-256  | 056C thru 256TC          | 2.0                          | .50 | 1/2-13 UNC |
| MWP284-286  | 284TC/TSC thru 286TC/TSC | 2.75                         | .50 | 5/8-11 UNC |
| MWP324-365  | 324TC/TSC thru 365TC/TSC | 2.75                         | .75 | 3/4-10 UNC |
| MWP404-405  | 404TC/TSC thru 405TC/TSC | 4.0                          | .75 | 3/4-10 UNC |
| MWP444-445  | 444TC/TSC thru 445TC/TSC | 4.75                         | .75 | 1-8 UNC    |