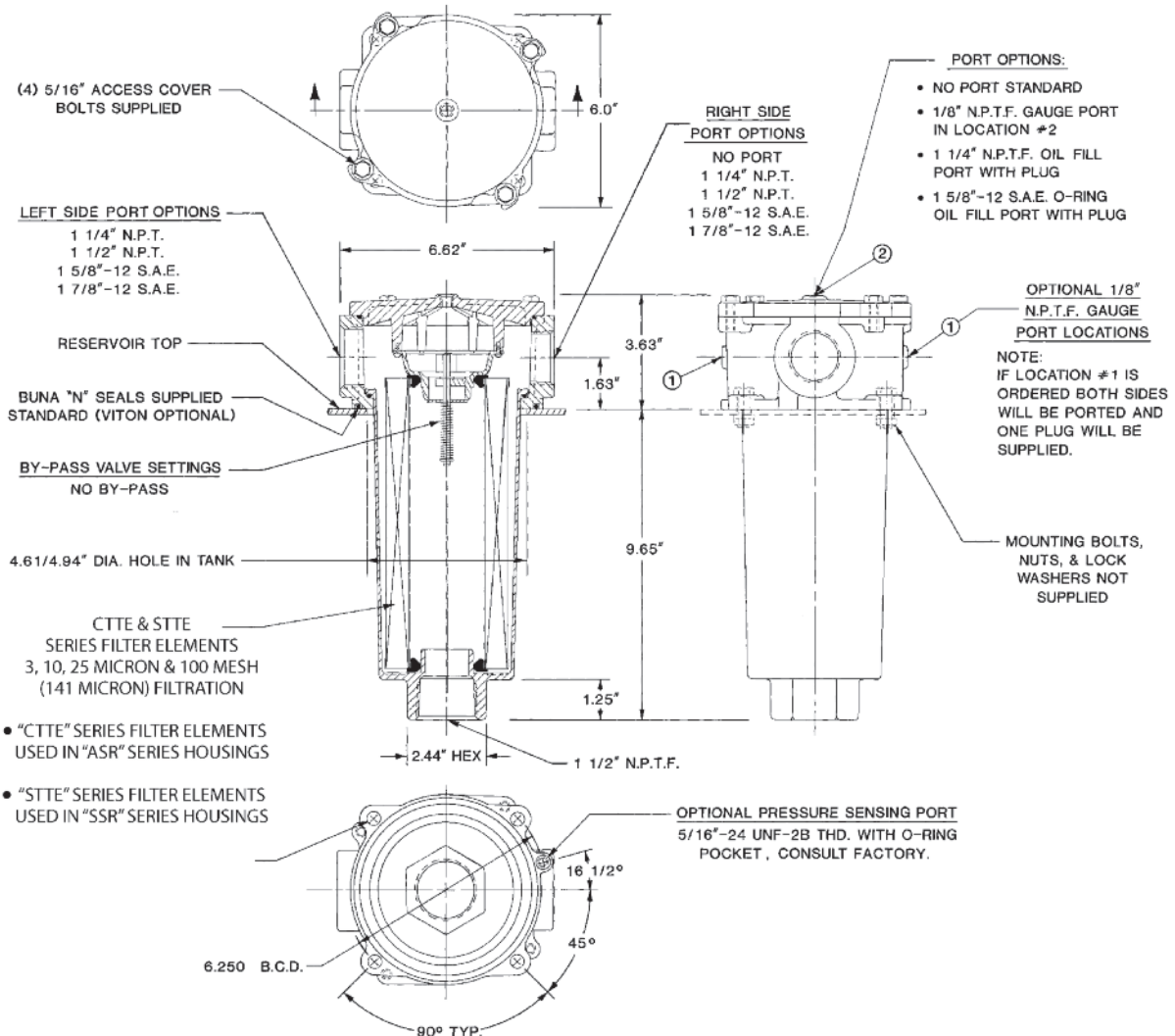


## Suction/Return Line Series



### Features:

- Flow Rates: Aluminum Housing; 96 GPM (Return), 32 GPM (Suction)  
Steel Housing; 71 GPM (Return), 24 GPM (Suction)
- Port Sizes: 1 1/4" NPT, 1 1/2" NPT  
#20 SAE, #24 SAE  
1 1/4" BSPT
- Maximum Operating Pressure: 100 PSI (**Warning: 80 PSI ΔP maximum without by-pass valve in Filter Head**).
- Operating Temperature: up to 250° F.
- Material: Die Cast Aluminum Alloy or Steel
- Unitized cover and By-Pass Valve assembly - no parts to loose.
- Drop-in Element Bowl design for easy installation
- Patented element bowl hold down for suction applications.
- Radial seal design used in CTTE and STTE series filter elements
- O-Ring seal between filter housing and tank top
- Suitable for Petroleum based fluids only (consult factory for synthetic fluids).



# Tank Top Filters



How to Order:

**TTF-ASR-P104/P104-03-10-0**

Code	Material/Series
ASR	Aluminum Suction/Return
SSR	Steel Suction/Return

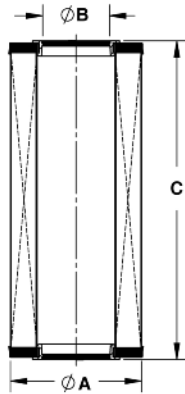
Code	Check Valve Option
0	No Check Valve
V	with Check Valve

Code	Port Size & Type	
	Left Side Port	Right Side Port
P104/000	1 1/4" NPT	None
B104/000	1 1/4" BSPT	None
P104/P104	1 1/4" NPT	1 1/4" NPT
B104/B104	1 1/4" BSPT	1 1/4" BSPT
P108/000	1 1/2" NPT	None
P108/P104	1 1/2" NPT	1 1/4" NPT
P108/P108	1 1/2" NPT	1 1/2" NPT
S020/000	#20 SAE	None
S020/S020	#20 SAE	#20 SAE
S024/000	#24 SAE	None
S024/S024	#24 SAE	#24 SAE

Code	Gauge & Oil Fill Port Location
10	Gauge Port in Location 1, No Oil Fill Port
12	Gauge Port in Location 1&2, No Oil Fill Port
1P	Gauge Port in Location 1, 1 1/4" NPT Fill Port with Plug
1S	Gauge Port in Location 1, #12 SAE Fill Port with Plug

Code	By-Pass Valve Option
00	No By-Pass
03	3 PSI By-Pass (Suction)
05	5 PSI By-Pass (Suction)
15	15 PSI By-Pass (Return)
25	25 PSI By-Pass (Return)
50	50 PSI By-Pass (Return)

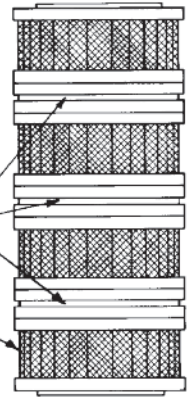
## Magnetic Elements



**Part Numbers**  
 CTTE-ASR-100-092-OI/M  
 CTTE-ASR-100-092-IO/M

Three - 4" diameter x 5/8"  
 thick ceramic magnets

Four - 100 mesh  
 wire cloth filter sections



## Cellulose Media Series: for use with Magnaloy Series TTF-ASR Tank Top Filter

Part Number	Filtration Rating	Filtration Rating	Filter Media Area	A OD	B ID	C Length	Flow Direction Thru Element
CTTE-ASR-003-092-BD	Beta <sub>3</sub> = 5.3	Beta <sub>10</sub> = 75	1120 in <sup>2</sup>	3.91"	1.96"	9.19"	Bi-Directional
CTTE-ASR-003-092-OI/WA**	Beta <sub>3</sub> = 5.3	Beta <sub>10</sub> = 75	461 in <sup>2</sup>	3.91"	1.96"	9.19"	Outside to Inside
CTTE-ASR-010-092-BD	Beta <sub>10</sub> = 5.3	Beta <sub>22</sub> = 75	1120 in <sup>2</sup>	3.91"	1.96"	9.19"	Bi-Directional
CTTE-ASR-025-092-BD	Beta <sub>25</sub> = 2.9	Beta <sub>47</sub> = 20	1120 in <sup>2</sup>	3.91"	1.96"	9.19"	Bi-Directional
CTTE-ASR-010-182-BD	Beta <sub>10</sub> = 5.3	Beta <sub>22</sub> = 75	2240 in <sup>2</sup>	3.91"	1.96"	18.19"	Bi-Directional
CTTE-ASR-025-182-BD	Beta <sub>25</sub> = 2.9	Beta <sub>47</sub> = 20	2240 in <sup>2</sup>	3.91"	1.96"	18.19"	Bi-Directional
CTTE-ASR-100-092-OI*	141 Micron		151 in <sup>2</sup>	3.91"	1.96"	9.19"	Outside to Inside
CTTE-ASR-100-092-IO*	141 Micron		151 in <sup>2</sup>	3.91"	1.96"	9.19"	Inside to Outside
CTTE-ASR-100-092-OI/M*	141 Micron		109 in <sup>2</sup>	3.91"	1.96"	9.19"	Outside to Inside
CTTE-ASR-100-092-IO/M*	141 Micron		109 in <sup>2</sup>	3.91"	1.96"	9.19"	Inside to Outside
CTTE-ASR-100-182-OI*	141 Micron		2240 in <sup>2</sup>	3.91"	1.96"	18.19"	Outside to Inside

5

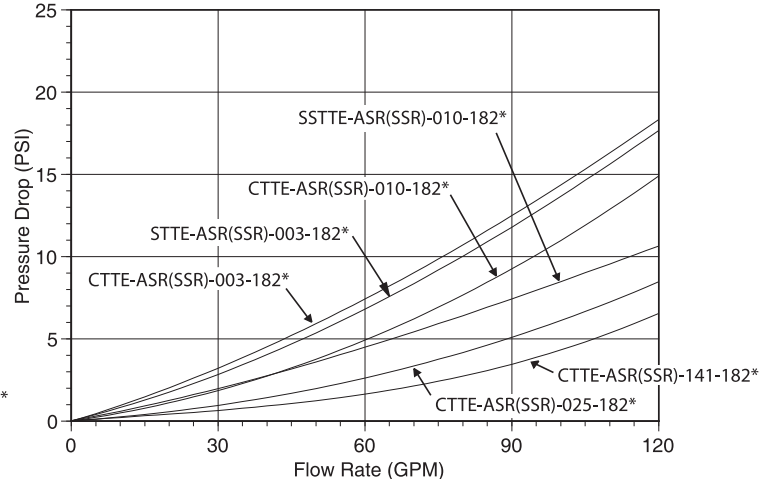
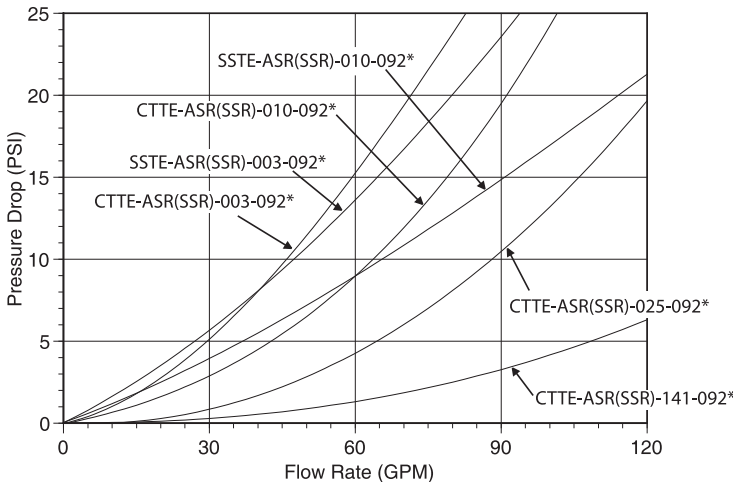
## Synthetic Media Series: for use with Magnaloy Series TTF-ASR Tank Top Filter

Part Number	Filtration Rating	Filtration Rating	Filter Media Area	A OD	B ID	C Length	Flow Direction Thru Element
STTE-ASR-003-092-OI	Beta <sub>3</sub> > 200		825 in <sup>2</sup>	3.91"	1.96"	9.19"	Outside to Inside
STTE-ASR-010-092-OI	Beta <sub>10</sub> > 200		825 in <sup>2</sup>	3.91"	1.96"	9.19"	Outside to Inside
STTE-ASR-003-182-OI	Beta <sub>3</sub> > 200		1650 in <sup>2</sup>	3.91"	1.96"	18.19"	Outside to Inside
STTE-ASR-010-182-OI	Beta <sub>10</sub> > 200		1650 in <sup>2</sup>	3.91"	1.96"	18.19"	Outside to Inside

**Note:**

- \* 100 Mesh Stainless Steel Wire Cloth is standard for 141 Micron Elements, 30, 60 & 200 optional - consult factory
- \*\* Filter Elements CTTE-ASR-409-03-IO/WA & CTTE-ASR-409-10-OI/WA contain Aqua-Zorb (water absorbing) filter media. ASR Elements come standard with a Buna-N radial seal, Fluorocarbon optional -consult factory

Average Pressure Drop through clean filter with 150 SUS Oil at 105° F



### Cellulose Media Series: for use with Magnaloy Series TTF-SSR Tank Top Filter

Part Number	Filtration Rating	Filtration Rating	Filter Media Area	A OD	B ID	C Length	Flow Direction Thru Element
CTTE-SSR-003-092-BD	Beta <sub>3</sub> = 5.3	Beta <sub>10</sub> = 75	1120 in <sup>2</sup>	3.91"	1.61"	9.19"	Bi-Directional
CTTE-SSR-010-092-BD	Beta <sub>10</sub> = 5.3	Beta <sub>22</sub> = 75	1220 in <sup>2</sup>	3.91"	1.61"	9.19"	Bi-Directional
CTTE-SSR-010-092-OI/WA**	Beta <sub>10</sub> = 5.3	Beta <sub>22</sub> = 75	461 in <sup>2</sup>	3.91"	1.61"	9.19"	Outside to Inside
CTTE-SSR-025-092-BD	Beta <sub>25</sub> = 2.9	Beta <sub>47</sub> = 20	1120 in <sup>2</sup>	3.91"	1.61"	9.19"	Bi-Directional
CTTE-SSR-010-182-BD	Beta <sub>10</sub> = 5.3	Beta <sub>22</sub> = 75	461 in <sup>2</sup>	3.91"	1.61"	18.19"	Bi-Directional
CTTE-SSR-025-182-BD	Beta <sub>25</sub> = 2.9	Beta <sub>47</sub> = 20	2240 in <sup>2</sup>	3.91"	1.61"	18.19"	Bi-Directional
CTTE-SSR-100-092-OI*	141 Micron		151 in <sup>2</sup>	3.91"	1.61"	9.19"	Outside to Inside
CTTE-SSR-100-092-IO*	141 Micron		151 in <sup>2</sup>	3.91"	1.61"	9.19"	Inside to Outside
CTTE-SSR-100-092-OI/M*	141 Micron		109 in <sup>2</sup>	3.91"	1.61"	9.19"	Outside to Inside
CTTE-SSR-100-092-IO/M*	141 Micron		109 in <sup>2</sup>	3.91"	1.61"	9.19"	Inside to Outside

5

### Synthetic Media Series: for use with Magnaloy Series TTF-SSR Tank Top Filter

Part Number	Filtration Rating	Filtration Rating	Filter Media Area	A OD	B ID	C Length	Flow Direction Thru Element
STTE-SSR-003-092-OI	Beta <sub>3</sub> > 200		825 in <sup>2</sup>	3.91"	1.61"	9.19"	Outside to Inside
STTE-SSR-010-092-OI	Beta <sub>10</sub> > 200		825 in <sup>2</sup>	3.91"	1.61"	9.19"	Outside to Inside
STTE-SSR-003-182-OI	Beta <sub>3</sub> > 200		1650 in <sup>2</sup>	3.91"	1.61"	18.19"	Outside to Inside
STTE-SSR-010-182-OI	Beta <sub>10</sub> > 200		1650 in <sup>2</sup>	3.91"	1.61"	18.19"	Outside to Inside

Note:

\* 100 Mesh Stainless Steel Wire Cloth is standard for 141 Micron Elements, 30, 60 & 200 optional - consult factory

\*\* Filter Elements CTTE-SSR-409-03-IO/WA & CTTE-SSR-409-10-OI/WA contain Aqua-Zorb (water absorbing) filter media.

SSR Elements come standard with a Buna-N radial seal, Fluorocarbon optional -consult factory